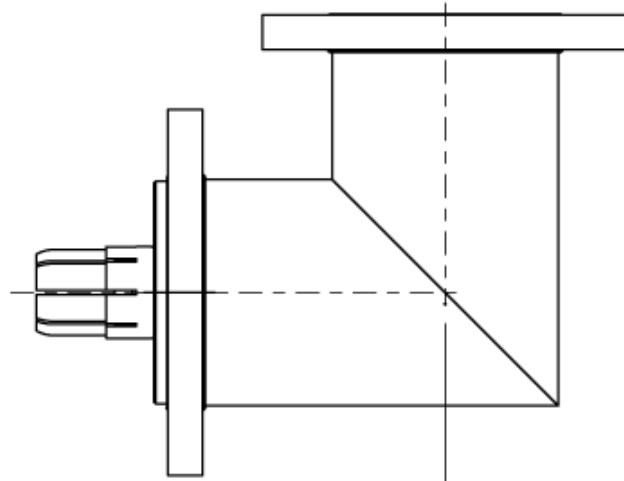


ϕ 5-1/4" (ϕ 13.34 cm)

13/32" (0.406 cm) Thru
6 Places on a
 ϕ 4-3/8" B.C.



4" (10.16 cm)
Flange Face to
Center Line of Leg

Includes:

3-1/8" Hardware Kit (Part No. 318F-14)

3-1/8" O-Ring (Part No. 318F-13S)

Approx. weight: 7 lb (3.2 kg)

Approx. shipping weight: 9 lb (4.1 kg)

3-1/8" EIA Elbow 90~
Equal Leg, Swivel Flanges
Part No. 318F-3F